

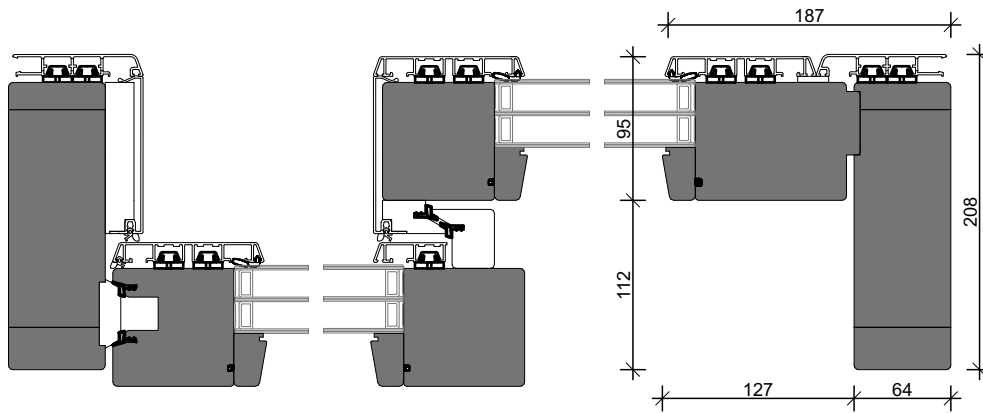


All Rights Reserved - Measurements can change at any time

Jamb (1)

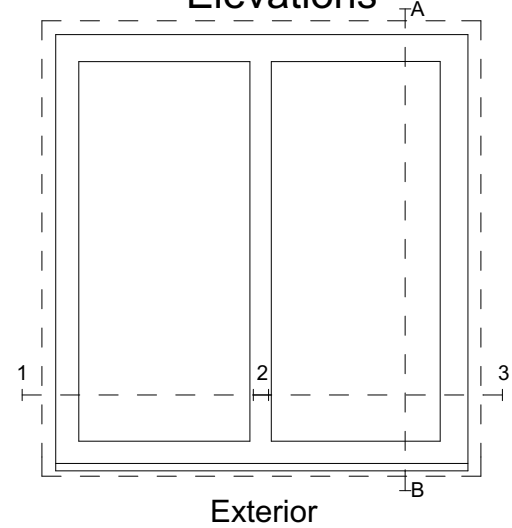
Mullion (2)

Jamb (3)

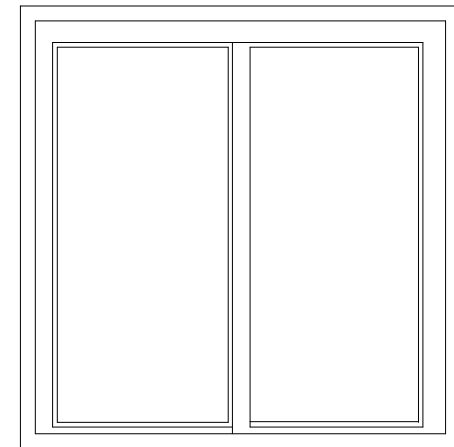


ALL MEASUREMENTS SHOWN ARE IN MM

Elevations

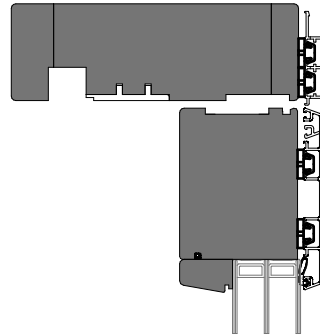
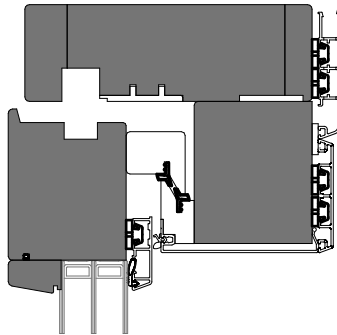


Exterior



Interior

Head (A)



Sill (B)

